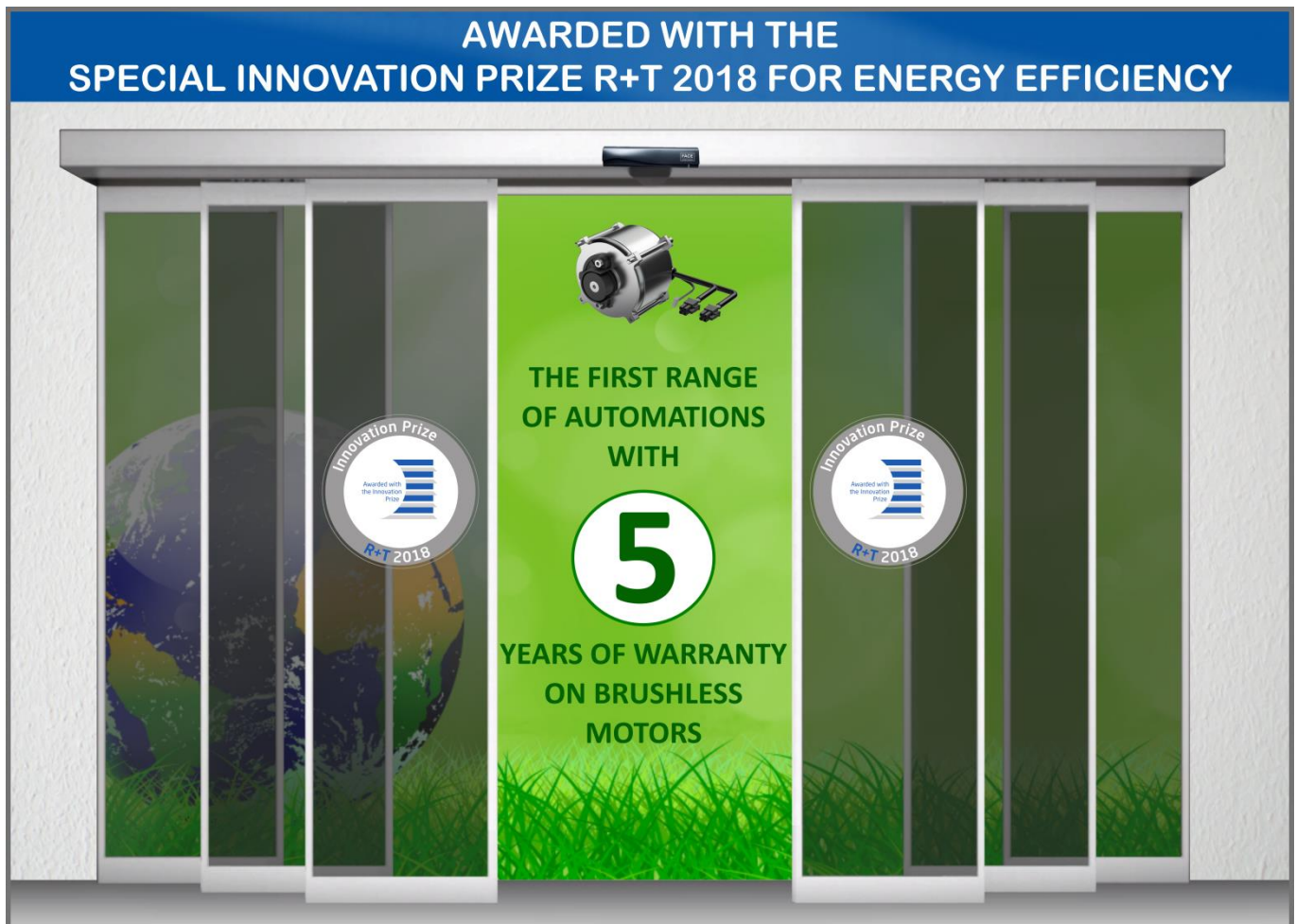




The new generation of automations for sliding and swing doors driven by direct-drive brushless motors (SL) with extended range power supply 100-240 V (50/60 Hz) and switch mode technology



The first real energy saving automations that guarantee that electricity consumption is reduced by over 50%

DIRECT-DRIVE BRUSHLESS MOTORS FOR SLIDING DOOR AUTOMATIONS

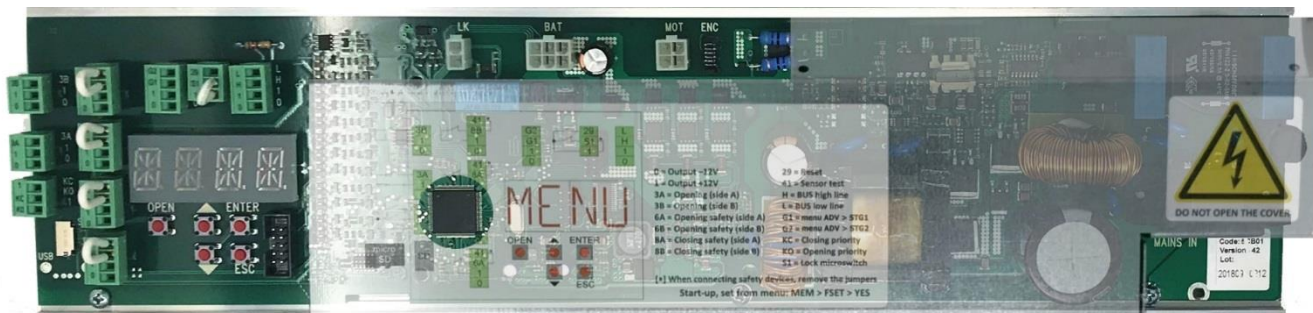


The use of direct-drive brushless motors with no reduction gear unit, in substitution of conventional DC gear motors with brush commutation, increases efficiency (30% by using the brushless motor and 30% by eliminating the reduction gear unit) and reduces electricity consumption.

The brushes are the component that is mostly subject to wear in a DC motor. The brushless motor, that has by definition no brushes and operates at a low speed of approximately 600 rpm, can be classified as a type of motor with no wear. Its service life is almost ten times longer compared to those of conventional DC gear motors and the frequency of maintenance is drastically reduced. Moreover, the absence the reduction gear unit eliminates its maintenance costs deriving from its normal wear.

The lack of brushes makes the motor very silent and the elimination of the reduction gear improves efficiency even more. The exclusive and patented position of the Hall sensor in the motor makes it compact in size and highly functional and protects it from accidental breakage caused by clumsy external actions.

ELECTRONIC CONTROL UNIT FOR SLIDING DOOR AUTOMATIONS



The new generation electronic control unit has been developed on a basic platform with a high potential for expansion and has the following main characteristics.

Extended range power supply 100-240 V (50/60 Hz) with switch mode technology to guarantee a 15% increase in efficiency and a reduction of energy consumption.

Operating parameters can be adjusted and diagnostic information can be read on an alphanumeric display.

Supplied with standard mode parameters to make the door operational without having to make any adjustments. However, all the parameters can be adjusted to meet your specific needs.

Separated terminals blocks dedicated for each accessory that make the door control and safety devices easily connectable.

The electronic control has a micro SD memory card input that enables to update the firmware, available on the website. This card can also be used to store information collected when the door is in operation.

SLIDING DOOR AUTOMATIONS FOR EMERGENCY EXITS

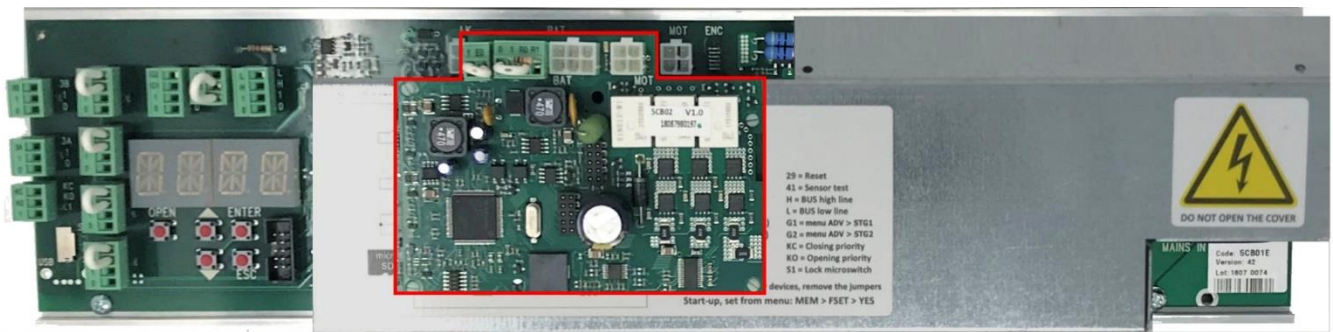


EMERGENCY automations are used on escape routes and emergency exits. They conform to the European Standard EN16005.

The brushless motor has two completely independent windings that drive the belt with no reduction gear unit.

This solution, together with the electronic control unit, ensures that the door can be opened even in a breakdown condition. The performance of each winding system is periodically tested to guarantee that the door operates correctly at all times.

ELECTRONIC CONTROL UNIT FOR EMERGENCY EXITS



The electronic control unit consists of a main board on which an emergency board is installed. The two boards are connected by a CAN type serial communication bus.

The emergency board is completely independent of the main board and it has its own microcontroller.

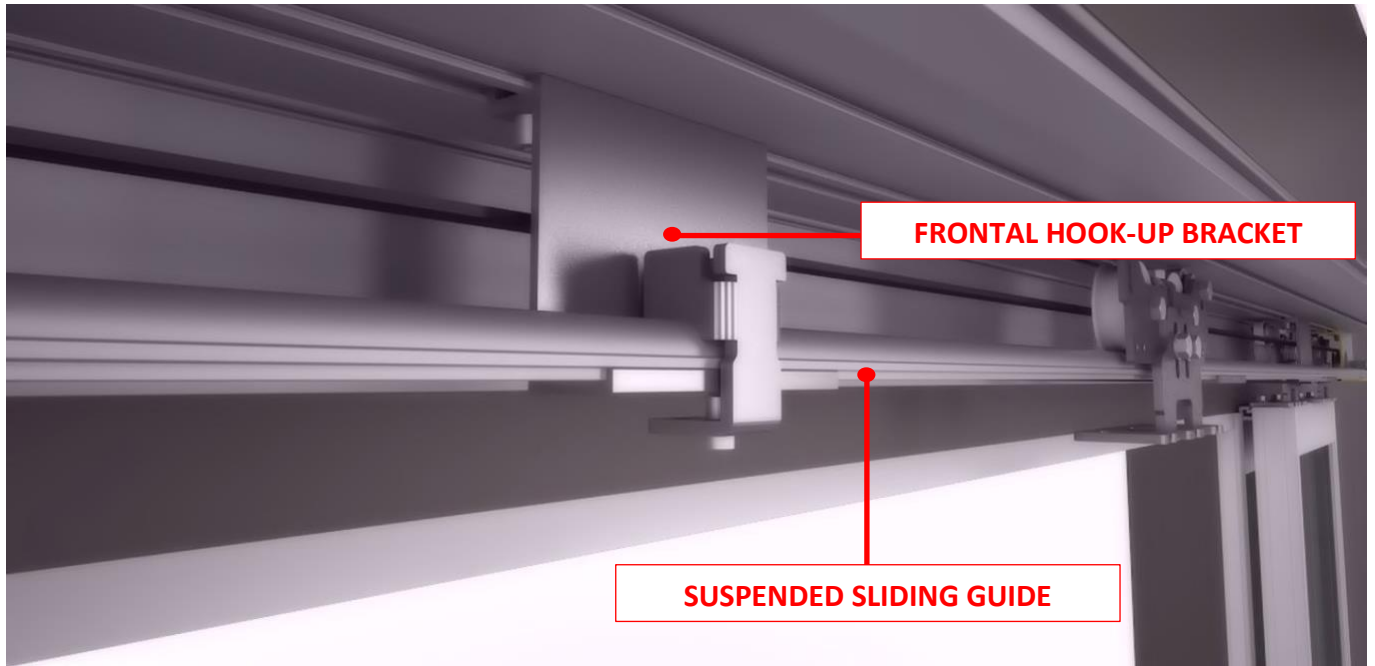
The emergency opening sensor, intrinsically safe, is installed on the direction of the escape route and is connected to the emergency board.

When necessary, the emergency board drives autonomously one of the two windings of the motor in order to open the doors.

TELESCOPIC SLIDING DOORS

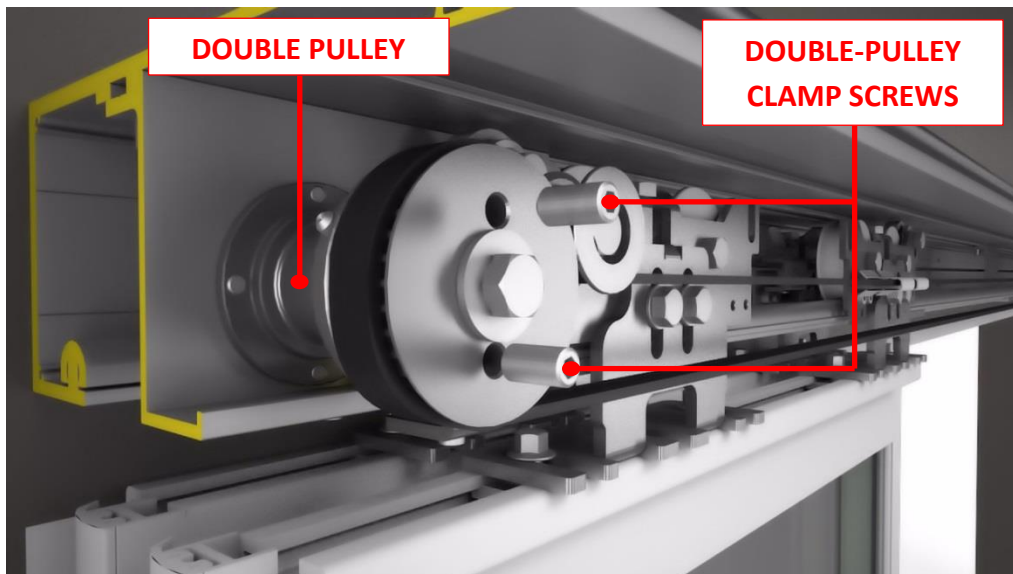
The sliding guide for the fast wings (primary) is suspended and connected to the profile by frontal hook-up modular brackets.

This exclusive and patented solution allows easy access to the slow wing carriages (secondary) during installation and subsequent maintenance work. This totally unique mechanism makes the fastening and adjusting of the second wings fast and easy.

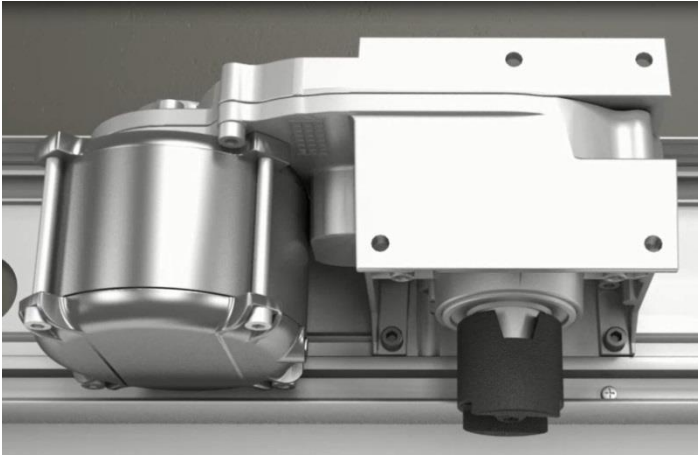


The patented double-pulley transmission system with independent rotation allows to put the wings rapidly into position. The primary wings can be adjusted separately from the secondary ones, eliminating the difficulties normally encountered with conventional telescopic automations.

After the final adjustment and the positioning of the wings in their maximal opening, the coordinated movement is achieved precisely and quickly by locking together the two pulleys tightening the two screws on the front.



BRUSHLESS MOTOR WITH REDUCTION GEAR FOR SW SWING AUTOMATIONS



The use of FACE design brushless motors instead of conventional DC motors with brush commutation increases efficiency of 30% and reduces electricity consumption.

The brushes are the component that is mostly subject to wear in a DC motor. The brushless motor, that has by definition no brushes and operates at a low speed of approximately 600 rpm, can be classified as a type of motor with no wear. Its service life is almost ten times longer compared to those of conventional DC gear motors and the frequency of maintenance is drastically reduced.

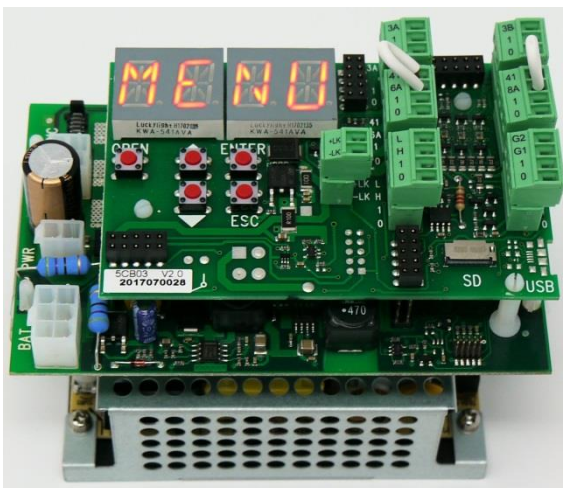
The lack of brushes makes these motors very silent.

The exclusive, patented position of the Hall sensor in the motor makes it compact in size and highly functional and protects it from accidental breakage caused by clumsy external actions.

The reduction gear unit is housed in a double aluminium shell on which the brushless motor is fastened to and from which the pin connected to the wing movement arm comes out. The gear system on the reduction gear unit has been designed to guarantee maximum efficiency and total reversibility.

In the SPRING version with spring closure, the spring unit is assembled at the bottom of the reduction gear shaft. It is designed to be highly performing and compact in order to guarantee the mechanical closing of the door with a smooth and safe movement.

ELECTRONIC CONTROL UNIT FOR SW SWING AUTOMATIONS



The new generation electronic control unit has been developed on a basic platform with a high potential for expansion and has the following main characteristics.

Extended range power supply 100-240 V (50/60 Hz) with switch mode technology to guarantee a 15% increase in efficiency and a reduction in energy consumption.

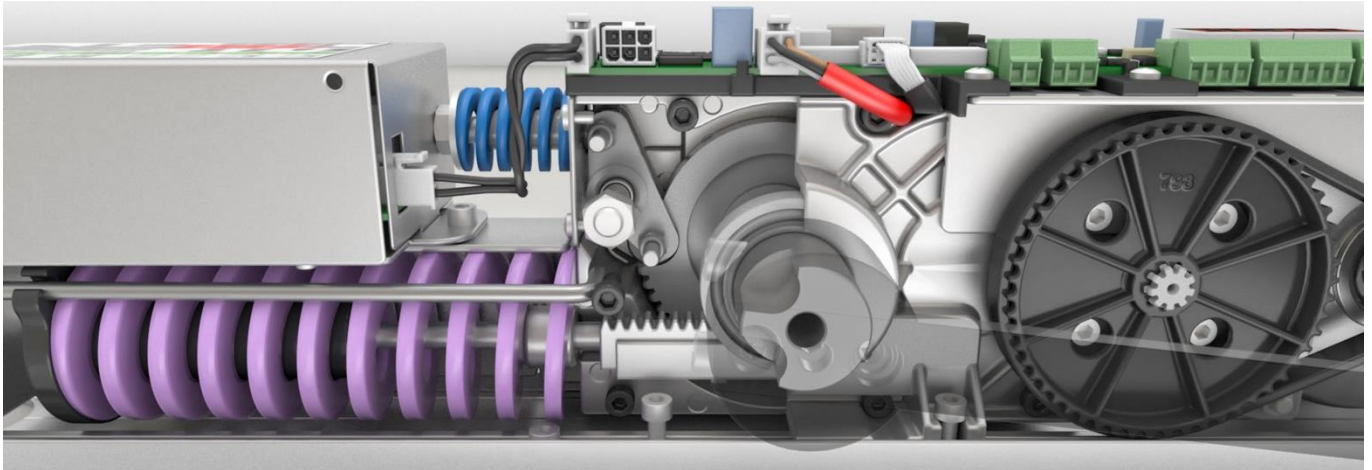
Operating parameters can be adjusted and diagnostic information can be read on an alphanumeric display.

Supplied with standard mode parameters to make the door operational without having to make any adjustments. However, all the parameters can be adjusted to meet your specific needs.

Separated terminals blocks dedicated for each accessory that make the door control and safety devices easily connectable.

The electronic control has a micro SD memory card input that enables to update the firmware, available on the website. This card can also be used to store information collected when the door is in operation.

BRUSHLESS MOTOR WITH REDUCTION GEAR UNIT FOR SW80S SWING AUTOMATION



The use of FACE design brushless motors instead of conventional DC motors with brush commutation increases efficiency by 30% and reduces electricity consumption.

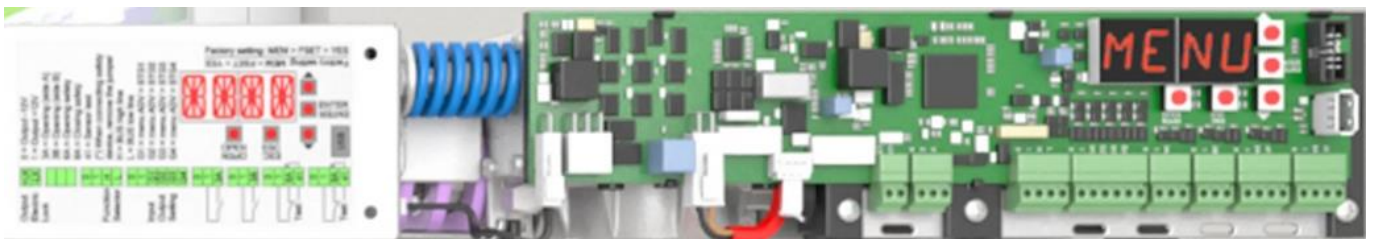
The brushes are the component that is mostly subject to wear in a DC motor. The brushless motor, that has by definition no brushes and operates at a low speed of approximately 600 rpm, can be classified as a type of motor with no wear. Its service life is almost ten times longer compared to those of conventional DC gear motors and the frequency of maintenance is drastically reduced.

The lack of brushes makes these motors very silent. The exclusive, patented position of the Hall sensor in the motor makes it compact in size and highly functional and protects it from accidental breakage caused by clumsy external actions.

The Brushless motor is connected to the gear unit through a belt in order to obtain a high force to move heavy doors very silently.

The reduction gear unit has two springs that ensure the closing of the door even in the absence of power supply. The big spring is designed to be highly performing and compact. It operates during the whole movement of the door to guarantee the mechanic closing with a safe and smooth movement. The small spring operates only on the final 6° of the closing to guarantee a higher force on the final stage of the process facing eventual resistances caused by locks or by the wind.

ELECTRONIC CONTROL UNIT FOR SW80S SWING AUTOMATION



The new generation electronic control unit, with a high potential for expansion, has the following main characteristics.

Extended range power supply 100-240 V (50/60 Hz) with switch mode technology to guarantee a 15% increase in efficiency and a reduction of energy consumption.

Operating parameters can be adjusted and diagnostic information can be read on an alphanumeric display.

Supplied with standard mode parameters to make the door operational without having to make any adjustments. However, all the parameters can be adjusted to meet your specific needs.

Separated terminals blocks dedicated for each accessory that make the door control and safety devices easily connectable.

The electronic control has a USB input that enables to update the firmware, available on the website. It can also be used to store information collected when the door is in operation.

SENSOR SUPPORT SYSTEM

An exclusive and patented fixing sensor device with magnetic release allows to remove and to put the automation cover (which also has a magnetic coupling) very quickly. The support system is coupled to the supporting beam and not to the cover, enabling to wire and to regulate the sensors already collocated in their correct final functioning position. In this way, it is very easy and fast to access to the automation during installation and maintenance.



ELECTRONIC FUNCTION SELECTOR SWITCH

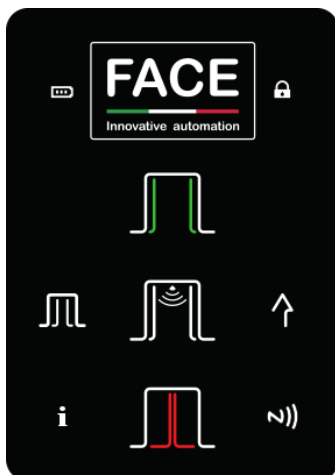
This innovative device has a capacitive touchscreen that is easy and intuitive to use.

The simplified authorisation procedure has three different levels:

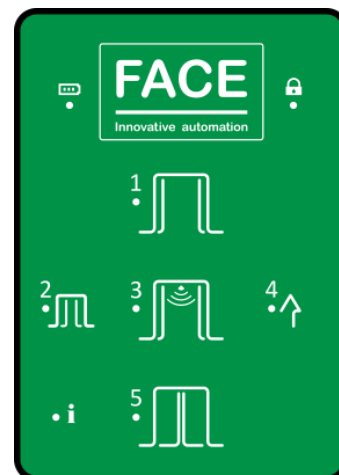
- 1) Always active,
- 2) Activated by simply touching the FACE logo for 3 seconds,
- 3) Activated by a contactless badge (FSD1) or numeric code (FSD4) without using “mechanical” keys.

The FSD1 selector switch can also interact directly with smartphones thanks to the FACE NFC and FACE SRC App.

FSD1 – WITH TRANSPONDER KEY



FSD4 – WITH CODE KEY



FACE NFC (Near Field Communication)

FACE NFC smartphone application allows you to manage your **FACE** sliding and swing automatic doors. You can simply use it connecting your smartphone to the **FSD1** function selector through the **NFC** connection, without buying any additional device.

In a simple and intuitive way you can carry out the following actions:

- 1) Selector Activation** – Activation of the **FSD1** function selector using your smartphone as a badge.
- 2) Door Opening** – Priority opening of the door using your smartphone as a badge.

The function you choose is the green one and approaching your smartphone to the function selector **FSD1** the command is activated.

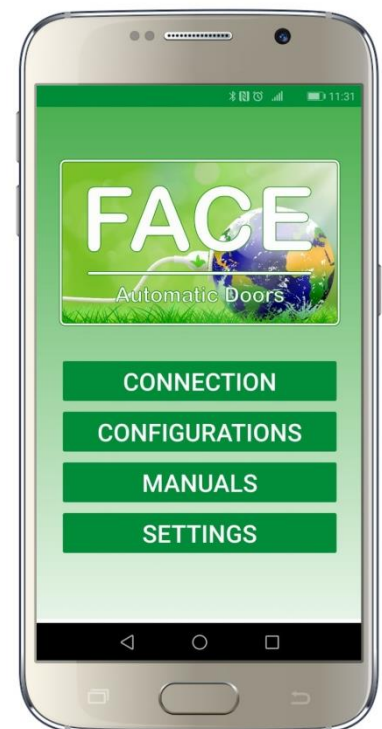


FACE SRC (Smartphone Remote Control)

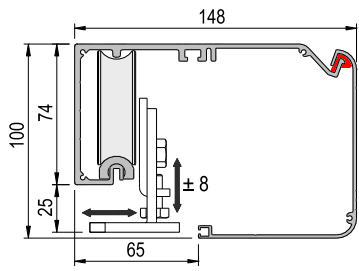
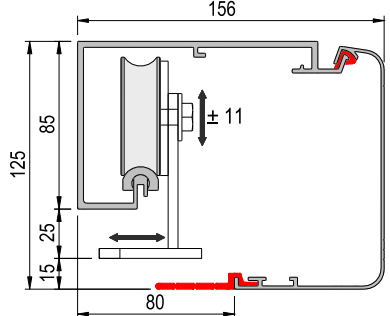
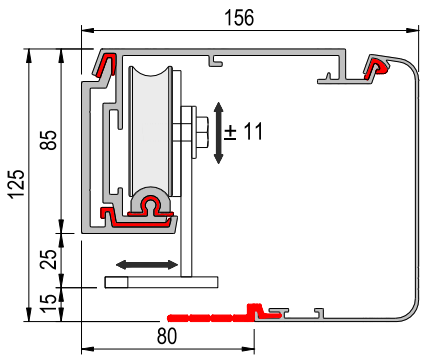
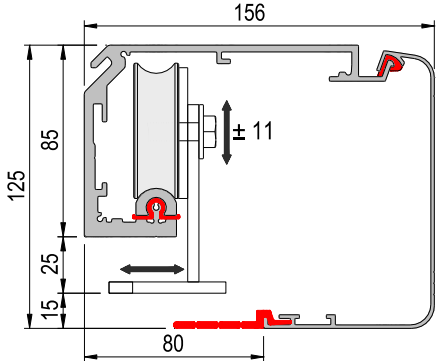
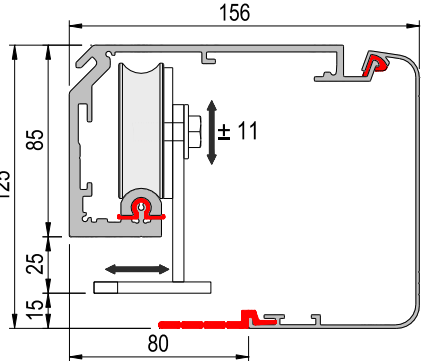
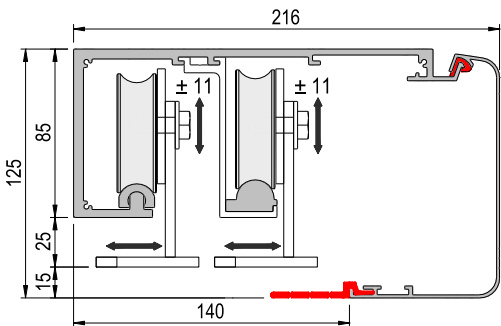
FACE SRC smartphone application allows you to manage your **FACE** sliding and swing automatic doors. You can simply use it connecting your smartphone to the **FSD1** function selector through the **NFC** connection, without buying any additional device.

In a simple and intuitive way, you can carry out the following actions:

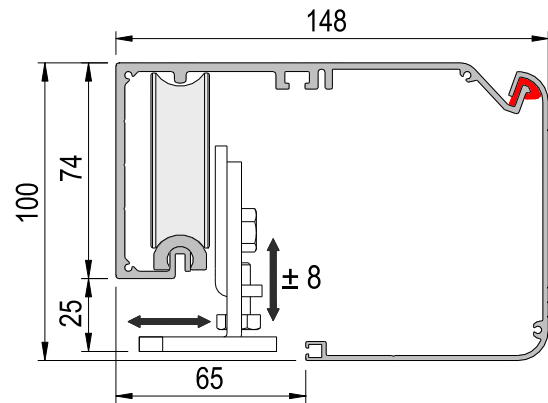
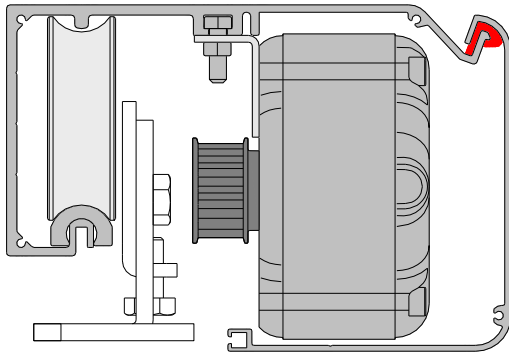
- 1) Set and modify the functioning parameters.**
- 2) Download the functioning parameters of an automatic door and upload them on other installations that require the same operating parameters.** The downloaded parameters can be transferred via Whatsapp or email to multiple recipients for consultation.
- 3) Diagnostic for the maintenance: reading of the alarms, of the number of cycles etc.** The downloaded parameters can be transferred via Whatsapp or email to multiple recipients for consultation.





RANGE OF SLIDING AUTOMATIONS

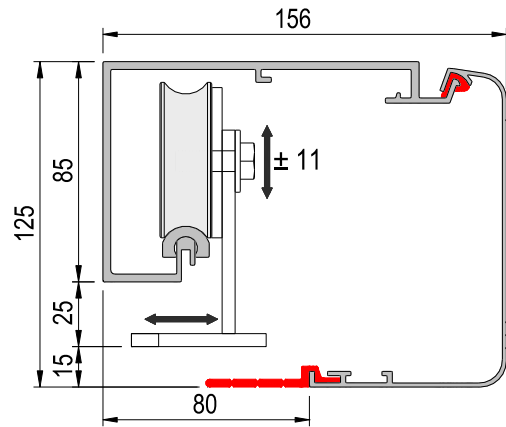
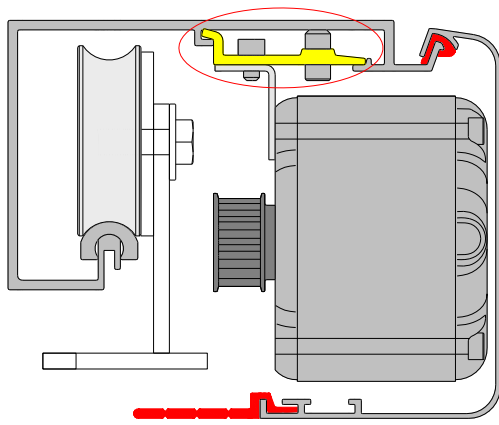
SLIDING AUTOMATIONS	MAXIMUM WEIGHT		SERVICE CLASS INTERMITTENCE	SECTION DIMENSIONS
	1 leaf	2 leaves		
SL3L LIGHT	1x70 kg	2x50 kg 2x60 kg	Continuous operation S3 = 100% S3 = 80%	
SL4A ADVANCED SL4E EMERGENCY	1x100 kg	2x90 kg	Continuous operation S3 = 100% S3 = 100%	
SL5A ADVANCED SL5E EMERGENCY SL5H HEAVY	1x140 kg	2x120 kg 2x120 kg 2x150 kg	Continuous operation S3 = 100% S3 = 100% Intense operation S3 = 60%	
SL6A ADVANCED SL6E EMERGENCY SL6H HEAVY SL6B BIG	1x140 kg	2x120 kg 2x120 kg 2x150 kg 2x250 kg	Continuous operation S3 = 100% S3 = 100% S3 = 60% S3 = 60%	
HERMETIC SL6HA ADVANCED SL6HB BIG	1x100 kg	1x200 kg	Intense operation S3 = 60% S3 = 60%	
TELESCOPIC SLTA ADVANCED SLTE EMERGENCY SLDAA ADVANCED SLDEE EMERGENCY	2x100 kg	4x70 kg 4x70 kg	Continuous operation S3 = 100% S3 = 100% Continuous operation S3 = 100% S3 = 100%	



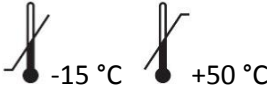
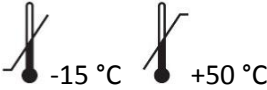
TECHNICAL SPECIFICATIONS FOR SL3 AUTOMATIONS



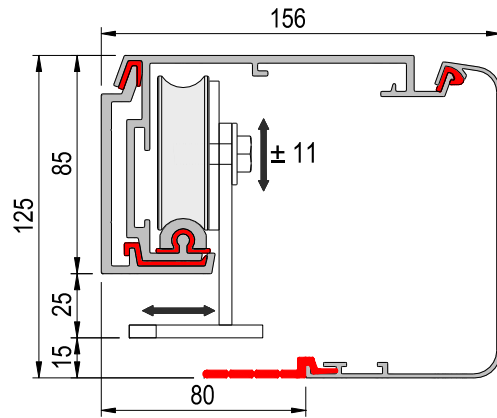
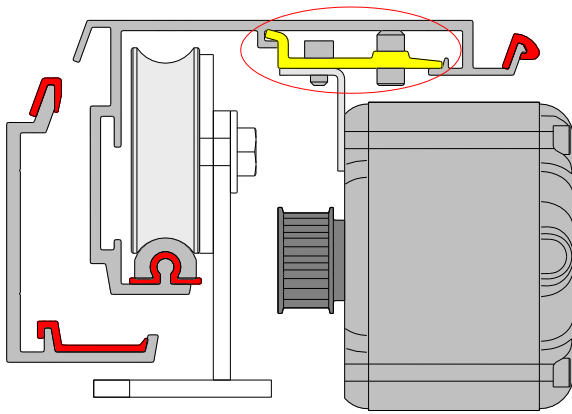
Series	SL3L
Model	LIGHT
Use	Sliding automatic doors
Reference standards	EN 16005
Dimensions	100 x 148 x 6600 mm
Max. load	70 kg 1 wing (S3 = 100%) 2x50 kg 2 wings (S3 = 100%) / 2x60 kg 2 wings (S3 = 80%)
Max. speed	0.8 m/s 1 wing 1.6 m/s 2 wings
Service class Intermittence	Continuous operation S3 = 100% (2x50 kg) / S3 = 80% (2x60 kg)
Traction	Direct-drive brushless motor
Power supply	100–240 V 50/60 Hz
Rated power	60W
Stand-by	8W
Rated load	80 N
Degree of protection	IP 20
Operating temperature	 -15 °C  +50 °C
Parameter adjustment	Buttons and display
Accessory output	12 VDC (1 A max)
Firmware update	Standard micro SD

TECHNICAL SPECIFICATIONS FOR SL4 AUTOMATIONS



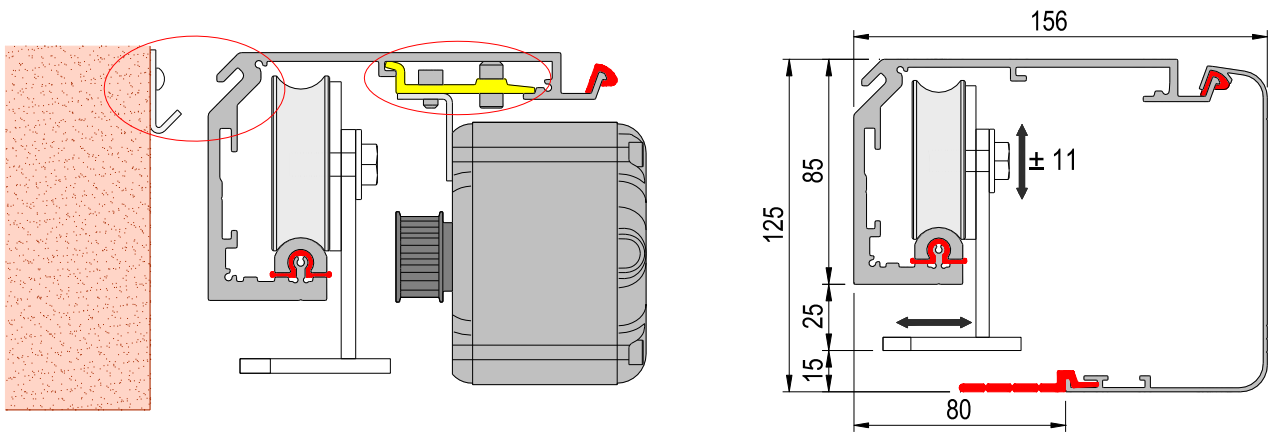
Series	SL4A	SL4E
Model	ADVANCED	EMERGENCY
Use	Sliding automatic doors	Sliding automatic doors for escape routes and emergency exits
Type approval	 <p>Type tested DIN EN 16005, DIN 18650-1/2</p> <ul style="list-style-type: none"> • open and close safe <p>ID P-4070/15</p>	 <p>Type tested DIN EN 16005, DIN 18650-1/2, AutSchR</p> <ul style="list-style-type: none"> • escape route safe • open and close safe <p>ID P-4071/15</p>
Dimensions	125 x 156 x 6600 mm	125 x 156 x 6600 mm
Max. load	100 kg 1 wing 2x90 kg 2 wings	100 kg 1 wing 2x90 kg 2 wings
Max. speed	0.8 m/s 1 wing 1.6 m/s 2 wings	0.8 m/s 1 wing 1.6 m/s 2 wings
Service class Intermittence	Continuous operation S3 = 100%	Continuous operation S3 = 100%
Traction	Direct-drive brushless motor	Direct-drive double winding brushless motor
Power supply	100–240 V 50/60 Hz	100–240 V 50/60 Hz
Rated power	70W	70W
Stand-by	10W	10W
Rated load	150 N	150 N
Degree of protection	IP 20	IP 20
Operating temperature	 <p>-15 °C +50 °C</p>	 <p>-15 °C +50 °C</p>
Parameter adjustment	Buttons and display	Buttons and display
Accessory output	12 VDC (1 A max)	12 VDC (1 A max)
Firmware update	Standard micro SD	Standard micro SD

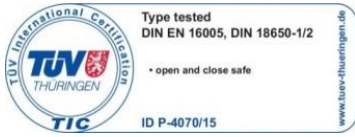

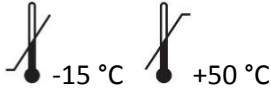
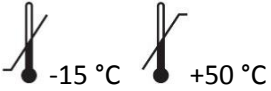
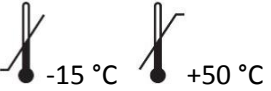
TECHNICAL SPECIFICATIONS FOR SL5 AUTOMATIONS



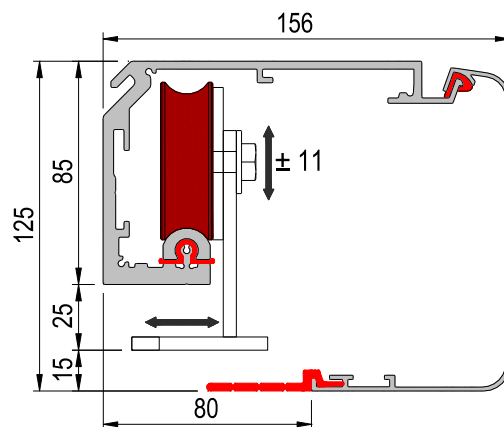
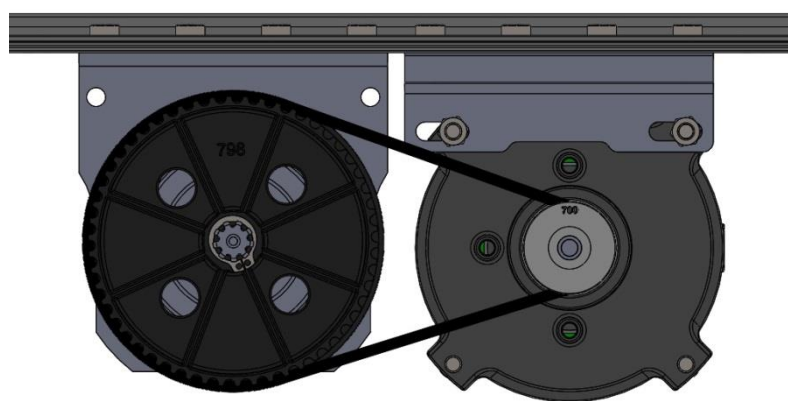
Series	SL5A	SL5E	SL5H
Model	ADVANCED	EMERGENCY	HEAVY
Use	Sliding automatic doors	Sliding automatic doors for escape routes and emergency exits	Heavy sliding automatic doors
Type approval			
Dimensions	125 x 156 x 6600 mm	125 x 156 x 6600 mm	125 x 156 x 6600 mm
Max. load	140 kg 1 wing 2x120 kg 2 wings	140 kg 1 wing 2x120 kg 2 wings	180 kg 1 wing 2x150 kg 2 wings
Max. speed	0.8 m/s 1 wing 1.6 m/s 2 wings	0.8 m/s 1 wing 1.6 m/s 2 wings	0.6 m/s 1 wing 1.2 m/s 2 wings
Service class Intermittence	Continuous operation S3 = 100%	Continuous operation S3 = 100%	Intense operation S3 = 60%
Traction	Direct-drive brushless motor	Direct-drive double winding brushless motor	Direct-drive brushless motor
Power supply	100–240 V 50/60 Hz	100–240 V 50/60 Hz	100–240 V 50/60 Hz
Power	70W	70W	70W
Stand-by	10W	10W	10W
Rated load	150 N	150 N	150 N
Degree of protection	IP 20	IP 20	IP 20
Operating temperature	-15 °C +50 °C	-15 °C +50 °C	-15 °C +50 °C
Parameter adjustment	Buttons and display	Buttons and display	Buttons and display
Accessory output	12 VDC (1 A max)	12 VDC (1 A max)	12 VDC (1 A max)
Firmware update	Standard micro SD	Standard micro SD	Standard micro SD



TECHNICAL SPECIFICATIONS FOR SL6 AUTOMATIONS



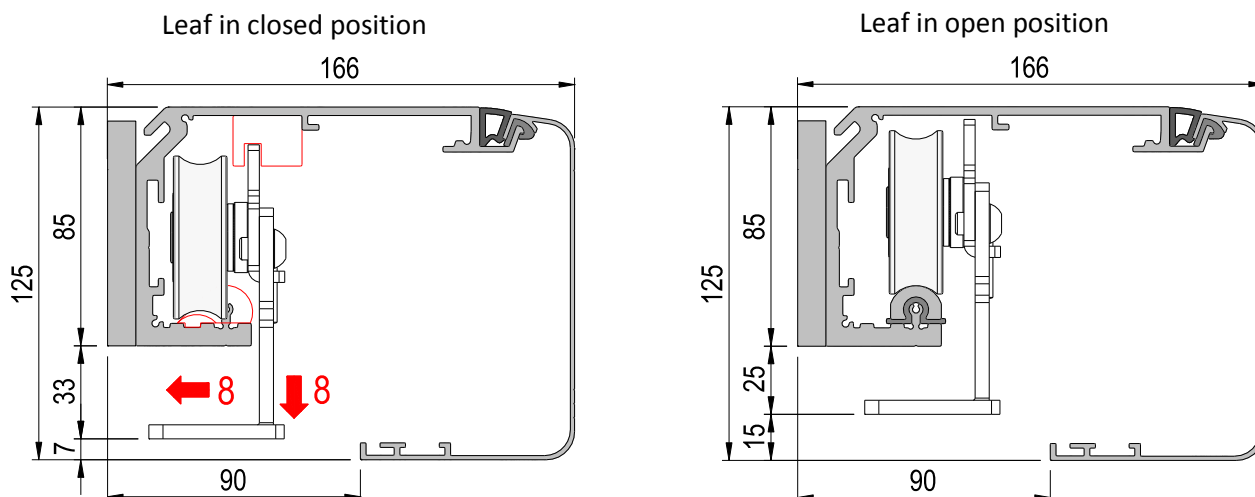
Series	SL6A	SL6E	SL6H
Model	ADVANCED	EMERGENCY	HEAVY
Use	Sliding automatic doors	Sliding automatic doors for escape routes and emergency exits	Heavy sliding automatic doors
Type approval			
Dimensions	125 x 156 x 6600 mm	125 x 156 x 6600 mm	125 x 156 x 6600 mm
Max. load	140 kg 1 wing 2x120 kg 2 wings	140 kg 1 wing 2x120 kg 2 wings	180 kg 1 wing 2x150 kg 2 wings
Max. speed	0.8 m/s 1 wing 1.6 m/s 2 wings	0.8 m/s 1 wing 1.6 m/s 2 wings	0.6 m/s 1 wing 1.2 m/s 2 wings
Service class Intermittence	Continuous operation S3 = 100%	Continuous operation S3 = 100%	Intense operation S3 = 60%
Traction	Direct-drive brushless motor	Direct-drive double winding brushless motor	Direct-drive brushless motor
Power supply	100–240 V 50/60 Hz	100–240 V 50/60 Hz	100–240 V 50/60 Hz
Power	70W	70W	70W
Stand-by	10W	10W	10W
Rated load	150 N	150 N	150 N
Degree of protection	IP 20	IP 20	IP 20
Operating temperature			
Parameter adjustment	Buttons and display	Buttons and display	Buttons and display
Accessory output	12 VDC (1 A max)	12 VDC (1 A max)	12 VDC (1 A max)
Firmware update	Standard micro SD	Standard micro SD	Standard micro SD







TECHNICAL SPECIFICATIONS FOR SL6B AUTOMATIONS



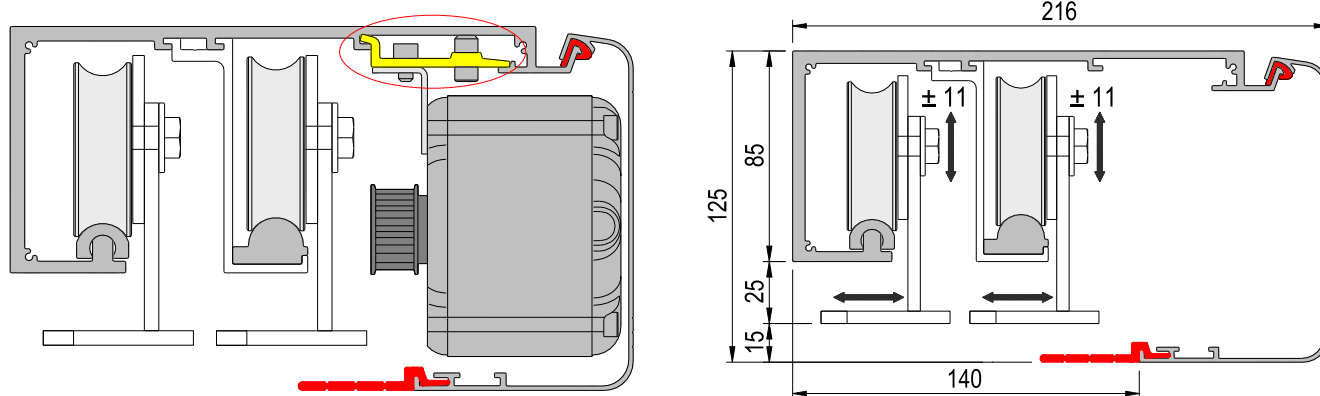
Series	SL6B
Model	BIG
Use	Heavy sliding automatic doors
Reference standards	EN 16005
Dimensions	125 x 156 x 6600 mm
Max. load	400 kg 1 wing 2x250 kg 2 wings
Max. speed	0.3 m/s 1 wing 0.6 m/s 2 wings
Service class Intermittence	Intense operation S3 = 60%
Traction	Brushless motor with belt reduction unit
Power supply	100–240 V 50/60 Hz
Rated power	70W
Stand-by	10W
Rated load	350 N
Degree of protection	IP 20
Operating temperature	 -15 °C  +50 °C
Parameter adjustment	Buttons and display
Accessory output	12 VDC (1 A max)
Firmware update	Standard micro SD







TECHNICAL SPECIFICATIONS FOR SL6HA-SL6HB HERMETIC SLIDING AUTOMATIONS



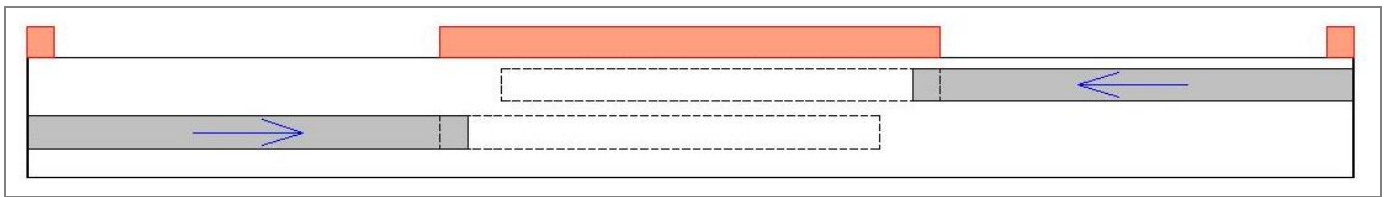
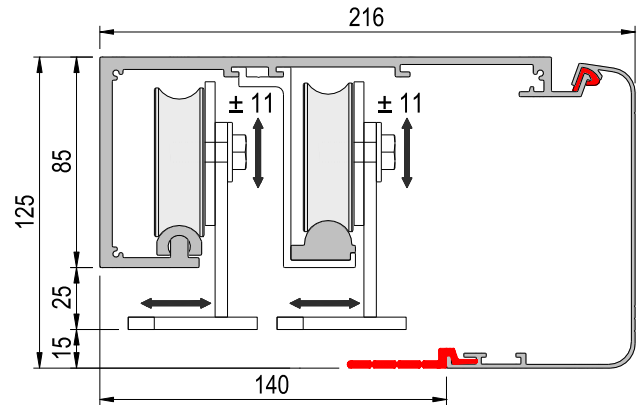
Series	SL6HA	SL6HB
Model	HERMETIC-ADVANCED	HERMETIC-BIG
Use	Hermetic sliding doors	Heavy hermetic sliding doors
Type approval	 <p>Type tested EN 16005 • open and close safe ID P-4112/19 www.tuev-thueringen.de</p>	 <p>Type tested EN 16005 • open and close safe ID P-4112/19 www.tuev-thueringen.de</p>
Dimensions	125 x 156 x 6600 mm	125 x 156 x 6600 mm
Max. load	100kg	200 kg
Max. speed	0.8 m/s	0.3 m/s
Service class Intermittence	Intense operation S3 = 60%	Intense operation S3 = 60%
Traction	Direct-drive brushless motor	Brushless motor with belt reduction unit
Power supply	100–240 V 50/60 Hz	100–240 V 50/60 Hz
Rated power	70W	70W
Stand-by	10W	10W
Rated load	150 N	350 N
Degree of protection	IP 20	IP 20
Operating temperature	 -15 °C  +50 °C	 -15 °C  +50 °C
Parameter adjustment	Buttons and display	Buttons and display
Accessory output	12 VDC (1 A max)	12 VDC (1 A max)
Firmware update	Standard micro SD	Standard micro SD

TECHNICAL SPECIFICATIONS FOR SLT TELESCOPIC AUTOMATIONS



Series	SLTA	SLTE
Model	TELESCOPIC-ADVANCED	TELESCOPIC-EMERGENCY
Use	Telescopic sliding doors	Telescopic sliding doors for escape routes and emergency exits
Type approval	 <p>Type tested DIN EN 16005, DIN 18650-1/2</p> <ul style="list-style-type: none"> • open and close safe <p>ID P-4081/16</p>	 <p>Type tested DIN EN 16005, DIN 18650-1/2, AutSchR</p> <ul style="list-style-type: none"> • escape route safe • open and close safe <p>ID P-4082/16</p>
Dimensions	125 x 216 x 6600 mm	125 x 216 x 6600 mm
Max. load	2x100 kg 2 wings 4x70 kg 4 wings	2x100 kg 2 wings 4x70 kg 4 wings
Max. speed	0.8 m/s 2 wings 1.6 m/s 4 wings	0.8 m/s 2 wings 1.6 m/s 4 wings
Service class Intermittence	Continuous operation S3 = 100%	Continuous operation S3 = 100%
Traction	Direct-drive brushless motor	Direct-drive double winding brushless motor
Power supply	100–240 V 50/60 Hz	100–240 V 50/60 Hz
Rated power	70W	70W
Stand-by	10W	10W
Rated load	150 N	150 N
Degree of protection	IP 20	IP 20
Operating temperature	 -15 °C  +50 °C	 -15 °C  +50 °C
Parameter adjustment	Buttons and display	Buttons and display
Accessory output	12 VDC (1 A max)	12 VDC (1 A max)
Firmware update	Standard micro SD	Standard micro SD

TECHNICAL SPECIFICATIONS FOR SLD DOUBLE SLIDING AUTOMATIONS

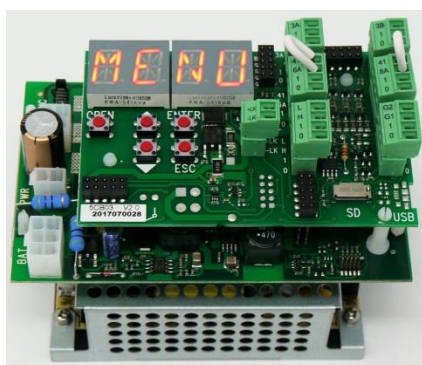




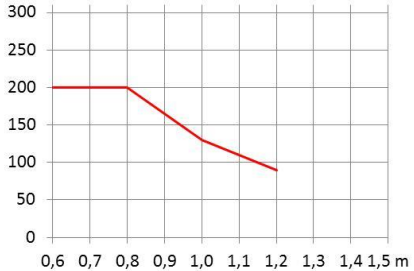





Series	SLDAA11	SLDEE11
Model	ADVANCED	EMERGENCY
Use	Sliding doors	Sliding doors for escape routes and emergency exits
Dimensions	125 x 216 x 6600 mm	125 x 216 x 6600 mm
Max. load	100kg	100kg
Max. speed	0.8 m/s	0.8 m/s
Service class	Continuous operation	Continuous operation
Intermittence	S3 = 100%	S3 = 100%
Traction	Direct-drive brushless motor	Direct-drive double winding brushless motor
Power supply	100–240 V 50/60 Hz	100–240 V 50/60 Hz
Rated power	70W	70W
Stand-by	10W	10W
Rated load	150 N	150 N
Degree of protection	IP 20	IP 20
Operating temperature	-15 °C +50 °C	-15 °C +50 °C
Parameter adjustment	Buttons and display	Buttons and display
Accessory output	12 VDC (1 A max)	12 VDC (1 A max)
Firmware update	Standard micro SD	Standard micro SD

RANGE OF SWING AUTOMATIONS

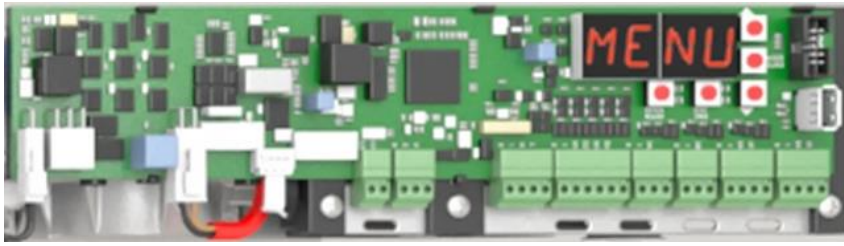
SWING AUTOMATIONS	MAX WEIGHT	SERVICE CLASS INTERMITTENCE	DIMENSIONS
SW2 LIGHT	1x200 kg	Continuous operation S3 = 100%	
SW5 HEAVY	1x300 kg	Continuous operation S3 = 100%	
SW4 SPRING	1x220 kg	Continuous operation S3 = 100%	
SW80S SPRING SW80S1 LIGHT SPRING	1x300 kg 1x300 kg	Continuous operation S3 = 100% S3 = 100%	



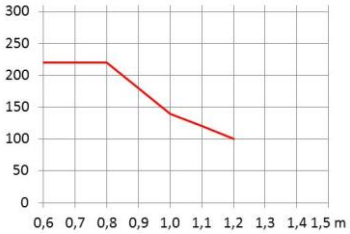
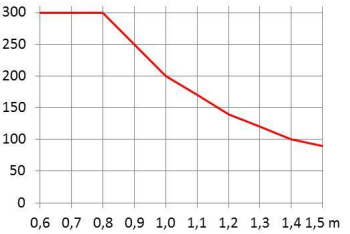
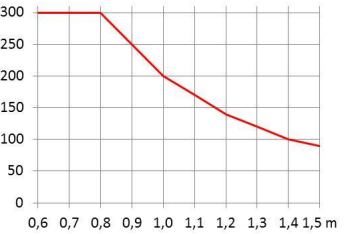






TECHNICAL SPECIFICATIONS FOR SW SWING AUTOMATIONS



Series	SW2	SW5
Model	LIGHT	HEAVY
Use	Automatic swing doors for internal use	Automatic swing doors
Type approval	 PRIMA RICERCA & SVILUPPO	 PRIMA RICERCA & SVILUPPO
Dimensions	82 x 117 x 443 mm	104 x 118 x 463 mm
Max. load	200 kg x 0.8 m 	300 kg x 0.8 m 
Operating time	2 – 6 s	2 – 6 s
Service class Intermittence	Continuous operation S3 = 100%	Intense operation S3 = 60%
Traction	Brushless motor with reduction gear unit	Brushless motor with reduction gear unit
Power supply	100–240 V 50/60 Hz	100–240 V 50/60 Hz
Power	40 W	70 W
Stand-by	8 W	8 W
Rated load	20 Nm	40 Nm
Degree of protection	IP 20	IP 20
Operating temperature	 -15 °C  +50 °C	 -15 °C  +50 °C
Parameter adjustment	Buttons and display	Buttons and display
Accessory output	12 Vdc (1 A max)	12 Vdc (1 A max)
Firmware update	Standard micro SD	Standard micro SD

TECHNICAL SPECIFICATIONS FOR SW SWING AUTOMATIONS WITH SPRING



Series	SW4	SW80S	SW80S1
Model	SPRING	SPRING	LIGHT SPRING
Use	Automatic swing doors with self-closing spring	Automatic swing doors with self-closing spring	Automatic swing doors with self-closing spring, with easy manual handling
Reference standards	EN 16005 EN1154 (EN4)	EN 16005 EN1154 (EN4, EN5, EN6)	EN 16005 EN1154 (EN4)
Type approval			
Dimensions	135 x 118 x 503 mm	88 x 130 x 540 mm	88 x 130 x 540 mm
Max. load	220 kg x 0,8 m 	300 kg x 0,8 m 	300 kg x 0,8 m 
Operating time	2 – 6 s	2 – 6 s	2 – 6 s
Service class Intermittence	Continuous operation S3 = 100%	Continuous operation S3 = 100%	Continuous operation S3 = 100%
Traction	Brushless motor with reduction gear unit and self-closing spring	Brushless motor with reduction gear unit and self-closing spring	Brushless motor with reduction gear unit and self-closing spring
Power supply	100–240 V 50/60 Hz	100–240 V 50/60 Hz	100–240 V 50/60 Hz
Power	70 W	70 W	70 W
Stand-by	8 W	3 W	3 W
Rated load	23 Nm	40 Nm	40 Nm
Degree of protection	IP 20	IP 20	IP 20
Operating temperature	 -15 °C  +50 °C	 -15 °C  +50 °C	 -15 °C  +50 °C
Parameter adjustment	Buttons and display	Buttons and display	Buttons and display
Programmable terminals	2 (G1, G2)	4 (G1, G2, G3, G4)	4 (G1, G2, G3, G4)
Accessory output	12 Vdc (1 A max)	12 Vdc (1 A max)	12 Vdc (1 A max)
Power output for electric locks	12 V (1 A max) 24 V (0,5 A max) (for electric locks only)	12 Vdc (1A max) 24 Vdc (0,5 A max)	12 Vdc (1A max) 24 Vdc (0,5 A max)
Firmware update	Standard micro SD	Standard USB	Standard USB

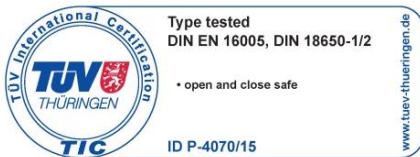
SF30 ALUMINUM PROFILE SYSTEM FOR AUTOMATIC SLIDING DOORS

This new series of profiles meets the safety requirements of the European EN16005 standard.

The mechanical operations necessary for the assembly of the whole system of sliding wings + fixed side walls + frames profiles are simplified to the maximum obtaining an excellent final result both in terms of solidity of the system and aesthetic appeal studied to the smallest detail.

The whole system is certified EN16005 by the German TÜV THÜRINGEN , after having carried out a million cycles on our sliding automations and having passed all the required tests.

Automatic sliding doors



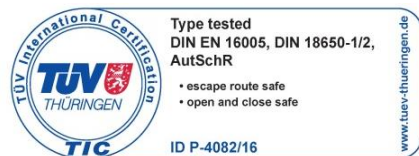
Automatic sliding doors for emergency exits



Telescopic automatic doors

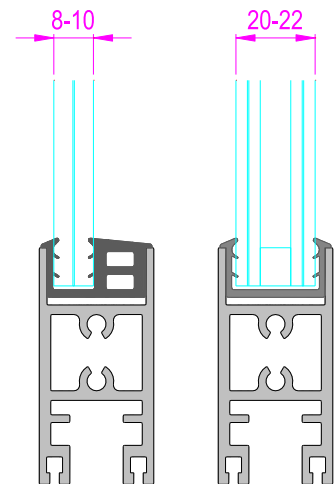


Telescopic automatic doors for emergency exits



The SF30 frame system for automatic sliding and telescopic doors, with 30 mm thickness, is designed to host two types of glasses:

- safety glass from 8 to 10 mm thickness;
- thermal glass from 20 to 22 mm thickness.



There are two sales options .

- Sale in SET: Profiles, gaskets, brushes and screws already set for various types of sliding doors for those who need to develop one single door buying only the necessary material, without any warehouse stock.

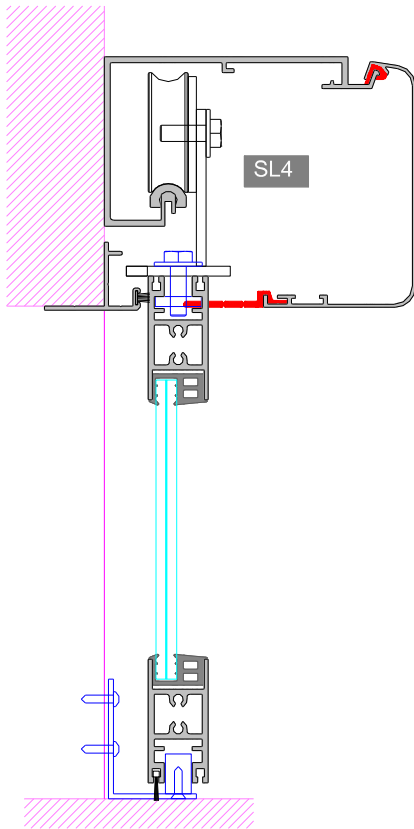
- Sale in KIT: Aluminium profiles in bars, gaskets and brushes in rolls and kits of screws , for those who need to install continuously sliding doors and can therefore optimize their consumptions and costs.

FACE has also developed a technical/commercial configurator that enables to obtain in a fast and precise way the following output data by easily inserting the sizes of the required door.

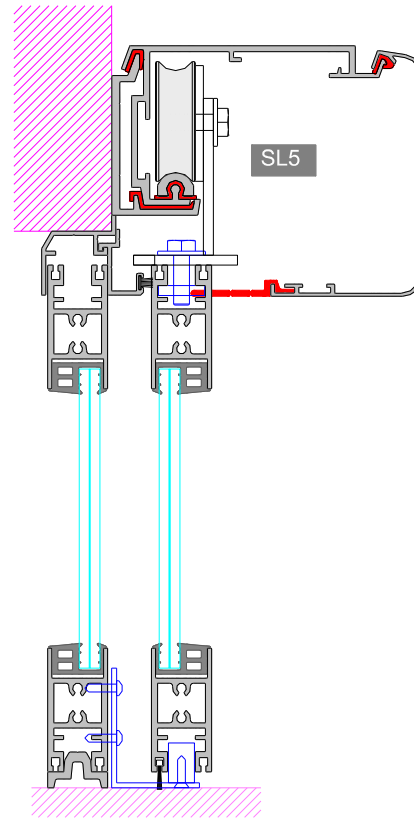
- The complete list of the items to be ordered, with relative quantities and prices.
- The list with cutting measures for aluminium profiles and gaskets.
- The list of the types of glasses with relative dimensions and weights.

SF30 AUTOMATIC SLIDING DOORS - VERTICAL DRAWINGS

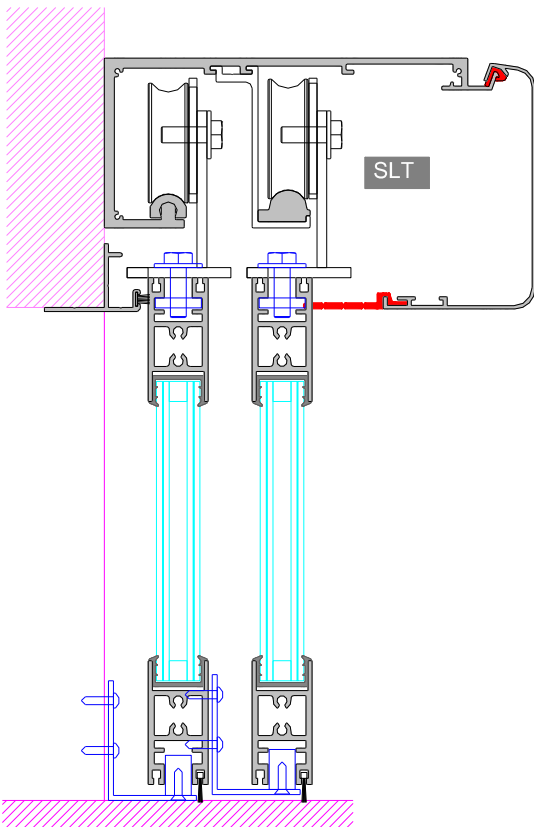
Automatic door with 2 sliding leaves



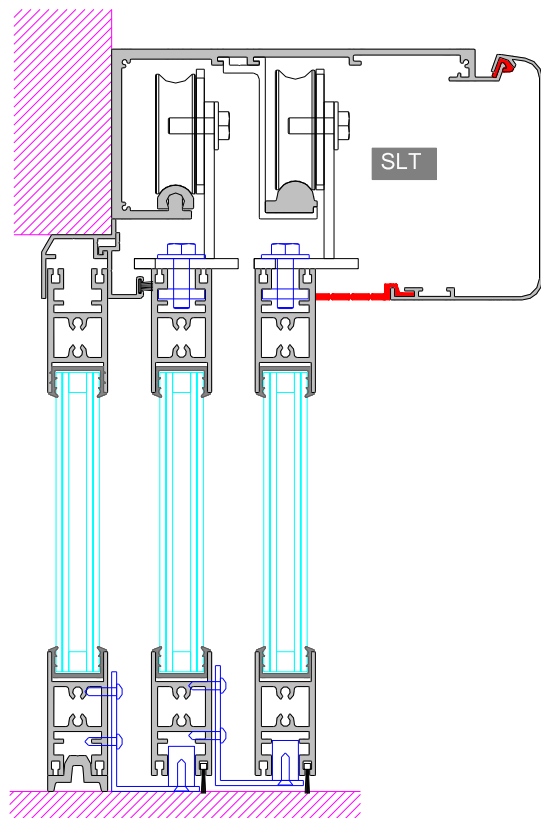
Automatic door with 2 sliding leaves + 2 side walls



Telescopic automatic door with 4 sliding leaves

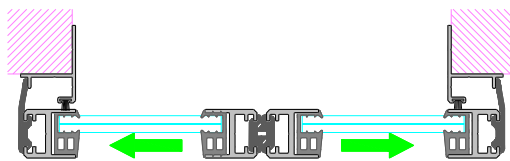


Telescopic automatic door with 4 sliding leaves + 2 side walls

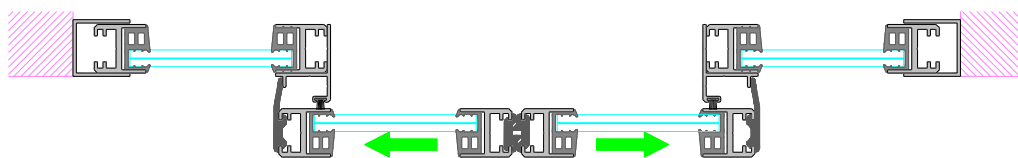


SF30 AUTOMATIC SLIDING DOORS - HORIZONTAL DRAWINGS

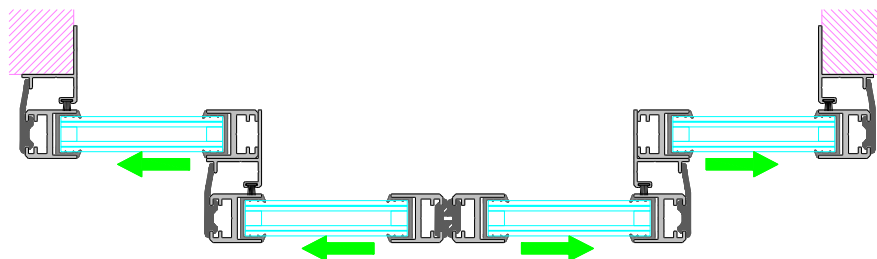
Automatic door with 2 sliding leaves



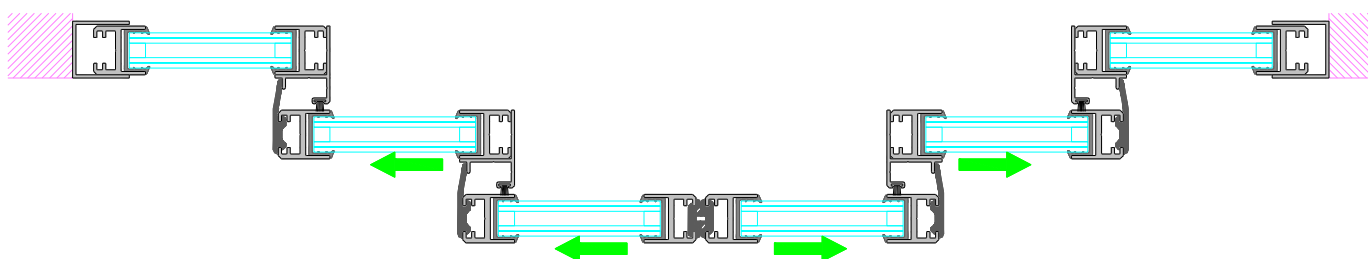
Automatic door with 2 sliding leaves + 2 side walls



Telescopic automatic door with 4 sliding leaves



Telescopic automatic door with 4 sliding leaves + 2 side walls





Innovate to simplify



All technical and commercial documents are available in the Download area of the website www.facespa.it.



HOME

PRODUCTS

DOWNLOAD

COMPANY

CONTACTS

Language: 



A promotional banner for FACE Sliding Doors. The background is green with a grassy foreground. On the right, a globe of the Earth is shown with a white power plug inserted into it. The text on the left reads: "FACE Sliding Doors", "The first in Energy Performance", "The first Energy Saving automations that guarantee a reduction in electricity consumption of 54%". At the bottom center, there are six small white circles, with the first one filled in, indicating the current slide in a sequence.